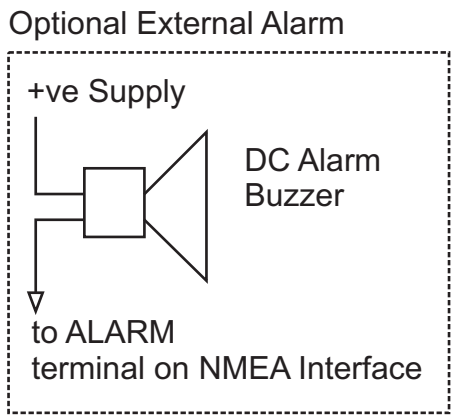


Tacktick GPS Antenna

NMEA Sentences received by Tacktick NMEA Interface
 DBT - Depth
 DPT - Depth
 HDG - Heading
 HDM - Heading
 MWV - Wind Angle and Speed
 MTW - Water Temperature
 RMB - Cross Track Error and Waypoint information
 RMC - Position, COG, SOG, Time
 VHW - Heading and Speed
 VLW - Distance (Log)

NMEA Sentences transmitted by Tacktick NMEA Interface
 DPT - Depth
 GLL - Position*
 HDG - Heading
 MTW - Water Temperature
 MWV - Apparent Wind Angle and Speed
 MWV - True Wind Angle and Speed
 RMB - Cross Track Error and Waypoint information*
 RMC - Position, COG, SOG, Time*
 VHW - Heading and Speed
 VLW - LOG and Trip distance
 VWR - Apparent Wind Angle and Speed



9 Pin D-Connector
 Pin 2 - PC Receive Data +ve
 Pin 3 - PC Transmit Data +ve
 Pin 5 - Data Ground



* These sentences are repeated when received on the NMEA output.
 No other sentences are repeated.

NOTE: Cable Colours may vary



Subject:	Tacktick NMEA Connections
Ref.:	
Date:	23rd January 2006
Drawn by:	Steve Moore

Tacktick Ltd., 22 North Street, Emsworth, Hampshire, PO107DG Tel. +44 (0) 1243 379331, Fax.. +44 (0) 1243 379199